

Safety of machinery — Safety distances to prevent hazard zones being reached by upper and lower limbs

ICS 13.110

National foreword

This British Standard is the UK implementation of EN ISO 13857:2008. It supersedes BS EN 294:1992 and BS EN 811:1997, which are withdrawn.

The UK participation in its preparation was entrusted to Technical Committee MCE/3, Safeguarding of machinery.

A list of organizations represented on this committee can be obtained on request to its secretary.

This publication does not purport to include all the necessary provisions of a contract. Users are responsible for its correct application.

Compliance with a British Standard cannot confer immunity from legal obligations.

This British Standard was published under the authority of the Standards Policy and Strategy Committee on 30 April 2008

© BSI 2008

ISBN 978 0 580 57034 6

Amendments/corrigenda issued since publication

Date	Comments

English Version

Safety of machinery - Safety distances to prevent hazard zones being reached by upper and lower limbs (ISO 13857:2008)

Sécurité des machines - Distances de sécurité empêchant les membres supérieurs et inférieurs d'atteindre les zones dangereuses (ISO 13857:2008)

Sicherheit von Maschinen - Sicherheitsabstände gegen das Erreichen von Gefährdungsbereichen mit den oberen und unteren Gliedmaßen (ISO 13857:2008)

This European Standard was approved by CEN on 16 February 2008.

CEN members are bound to comply with the CEN/CENELEC Internal Regulations which stipulate the conditions for giving this European Standard the status of a national standard without any alteration. Up-to-date lists and bibliographical references concerning such national standards may be obtained on application to the CEN Management Centre or to any CEN member.

This European Standard exists in three official versions (English, French, German). A version in any other language made by translation under the responsibility of a CEN member into its own language and notified to the CEN Management Centre has the same status as the official versions.

CEN members are the national standards bodies of Austria, Belgium, Bulgaria, Cyprus, Czech Republic, Denmark, Estonia, Finland, France, Germany, Greece, Hungary, Iceland, Ireland, Italy, Latvia, Lithuania, Luxembourg, Malta, Netherlands, Norway, Poland, Portugal, Romania, Slovakia, Slovenia, Spain, Sweden, Switzerland and United Kingdom.



EUROPEAN COMMITTEE FOR STANDARDIZATION
COMITÉ EUROPÉEN DE NORMALISATION
EUROPÄISCHES KOMITEE FÜR NORMUNG

Management Centre: rue de Stassart, 36 B-1050 Brussels

Foreword

This document (EN ISO 13857:2008) has been prepared by Technical Committee ISO/TC 199 "Safety of machinery" in collaboration with Technical Committee CEN/TC 114 "Safety of machinery", the secretariat of which is held by DIN.

This European Standard shall be given the status of a national standard, either by publication of an identical text or by endorsement, at the latest by September 2008, and conflicting national standards shall be withdrawn at the latest by September 2008.

Attention is drawn to the possibility that some of the elements of this document may be the subject of patent rights. CEN [and/or CENELEC] shall not be held responsible for identifying any or all such patent rights.

This document supersedes EN 294:1992, EN 811:1996.

This document has been prepared under a mandate given to CEN by the European Commission and the European Free Trade Association, and supports essential requirements of EC Directives.

For relationship with EC Directives, see informative Annex ZA and ZB, which are integral part of this document.

According to the CEN/CENELEC Internal Regulations, the national standards organizations of the following countries are bound to implement this European Standard: Austria, Belgium, Bulgaria, Cyprus, Czech Republic, Denmark, Estonia, Finland, France, Germany, Greece, Hungary, Iceland, Ireland, Italy, Latvia, Lithuania, Luxembourg, Malta, Netherlands, Norway, Poland, Portugal, Romania, Slovakia, Slovenia, Spain, Sweden, Switzerland and the United Kingdom.

Endorsement notice

The text of ISO 13857:2008 has been approved by CEN as a EN ISO 13857:2008 without any modification.

Contents	Page
Foreword.....	iv
Introduction	v
1 Scope	1
2 Normative references	1
3 Terms and definitions.....	2
4 Safety distances to prevent access by upper and lower limbs	2
4.1 General.....	2
4.2 Safety distances to prevent access by upper limbs	3
4.3 Safety distances to prevent access by lower limbs.....	11
Annex A (informative) Use of Tables 1 and 2 with intermediate values	13
Annex B (informative) Distances to impede free access by lower limbs	16
Annex ZA (informative) Relationship between this International Standard and the Essential Requirements of EU Directive 98/37/EC	18
Annex ZB (informative) Relationship between this International Standard and the Essential Requirements of EU Directive 2006/42/EC	19
Bibliography	17
Figure 1 — Reaching upwards	3
Figure 2 — Reaching over protective structure	4
Figure 3 — Openings of irregular shape	10
Figure A.1 — Example 1 — Table 2.....	13
Figure A.2 — Example 2 — Table 2.....	14
Figure A.3 — Example 3 — Table 2.....	15
Figure B.1 — Impeding free movement under protective structures.....	16
Table 1 — Reaching over protective structures — Low risk.....	5
Table 2 — Reaching over protective structures — High risk	6
Table 3 — Reaching around with limitation of movement.....	7
Table 4 — Reaching through regular openings — Persons of 14 years of age and above	8
Table 5 — Reaching through regular openings — Persons of 3 years of age and above	9
Table 6 — Reaching around with additional protective structures	11
Table 7 — Reaching through openings of regular shape by lower limbs.....	12
Table B.1 — Distances where access of the lower limbs is restricted	16

Foreword

ISO (the International Organization for Standardization) is a worldwide federation of national standards bodies (ISO member bodies). The work of preparing International Standards is normally carried out through ISO technical committees. Each member body interested in a subject for which a technical committee has been established has the right to be represented on that committee. International organizations, governmental and non-governmental, in liaison with ISO, also take part in the work. ISO collaborates closely with the International Electrotechnical Commission (IEC) on all matters of electrotechnical standardization.

International Standards are drafted in accordance with the rules given in the ISO/IEC Directives, Part 2.

The main task of technical committees is to prepare International Standards. Draft International Standards adopted by the technical committees are circulated to the member bodies for voting. Publication as an International Standard requires approval by at least 75 % of the member bodies casting a vote.

Attention is drawn to the possibility that some of the elements of this document may be the subject of patent rights. ISO shall not be held responsible for identifying any or all such patent rights.

ISO 13857 was prepared by Technical Committee ISO/TC 199, *Safety of machinery*.

This first edition of ISO 13857 cancels and replaces ISO 13852:1996 and ISO 13853:1998, of which it constitutes a technical revision. Annex A, giving guidance on how to use Tables 1 and 2 with intermediate values, has been added, and the former Annex A of ISO 13853 has become Annex B.

Introduction

This document is a type B standard as stated in ISO 12100-1.

The provisions of this document can be supplemented or modified by a type C standard.

For machines which are covered by the scope of a type C standard and which have been designed and built according to the provisions of that standard, the provisions of that type C standard take precedence over the provisions of this type B standard.

One method of eliminating or reducing risks caused by machinery is to make use of safety distances preventing hazard zones from being reached by the upper and lower limbs.

In specifying safety distances, a number of aspects have to be taken into consideration, such as

- reach situations occurring when machinery is being used,
- reliable surveys of anthropometric data, taking into account population groups likely to be found in the countries concerned,
- biomechanical factors, such as compression and stretching of parts of the body and limits of joint rotation,
- technical and practical aspects, and
- additional measures for particular groups of persons (e.g. persons with special needs), which could be required due to a deviation from the specified body dimensions.

Safety of machinery — Safety distances to prevent hazard zones being reached by upper and lower limbs

1 Scope

This International Standard establishes values for safety distances in both industrial and non-industrial environments to prevent machinery hazard zones being reached. The safety distances are appropriate for protective structures. It also gives information about distances to impede free access by the lower limbs (see 4.3).

This International Standard covers people of 14 years and older (the 5th percentile stature of 14 year olds is approximately 1 400 mm). In addition, for upper limbs only, it provides information for children older than 3 years (5th percentile stature of 3 year olds is approximately 900 mm) where reaching through openings needs to be addressed.

NOTE 1 Data for preventing lower limb access for children is not considered.

The distances apply when adequate safety can be achieved by distance alone. Because safety distances depend on size, there will be some people of extreme dimensions who will be able to reach hazard zones even when the requirements of this International Standard are complied with.

NOTE 2 These safety distances will not provide sufficient protection against certain hazards, for example, radiation and emission of substances. For such hazards, additional or other measures need to be taken.

The clauses of the International Standard covering lower limbs apply when access by the upper limbs is not foreseeable according to the risk assessment.

The safety distances are intended to protect those persons trying to reach hazard zones under the conditions specified (see 4.1.1).

NOTE 3 This International Standard is not intended to provide measures against reaching a hazard zone by climbing over.

2 Normative references

The following referenced documents are indispensable for the application of this document. For dated references, only the edition cited applies. For undated references, the latest edition of the referenced document (including any amendments) applies.

ISO 12100-1, *Safety of machinery — Basic concepts, general principles for design — Part 1: Basic terminology, methodology*

3 Terms and definitions

For the purposes of this document, the terms and definitions given in ISO 12100-1 and the following apply.

3.1

protective structure

safeguard (e.g. a guard, an impeding device) or other physical obstruction (e.g. a part of a machine) which restricts the movement of the body and/or a part of it in order to prevent reaching hazard zones

3.2

safety distance

safe separation distance

s_r

minimum distance a protective structure is required to be placed from a hazard zone

4 Safety distances to prevent access by upper and lower limbs

4.1 General

4.1.1 Assumptions

The safety distances in this International Standard have been derived by making the following assumptions:

- the protective structures and any openings in them retain their shape and position;
- safety distances are measured from the surface restricting the body or the relevant part of the body;
- persons may force parts of the body over protective structures or through openings in an attempt to reach the hazard zone;
- the reference plane is a level at which persons would normally stand, but is not necessarily the floor (e.g. a working platform could be the reference plane);
- there is some contact with the reference plane while wearing shoes (use of high-soled shoes, climbing and jumping are not included);
- no aids such as chairs or ladders are used to change the reference plane;
- no aids such as rods or tools are used to extend the natural reach of the upper limbs.

4.1.2 Risk assessment

Before determining the safety distance that prevents people from reaching hazard zones it is necessary to decide whether to use values for high or low risk. Thus a risk assessment (see ISO 12100-1 and ISO 14121-1) shall be conducted. The risk assessment shall be based on the probability of occurrence of an injury and the foreseeable severity of that injury. An analysis of the technical and human elements on which the risk assessment is dependent is essential to achieving the appropriate selection of data from this International Standard. The risk assessment shall take into account all accesses. Where several tables are used, the most restricting values shall be taken (see examples in Annex A).

NOTE 1 Aspects of frequency, duration, energy, speed and shape of contact surface need to be taken into account when establishing the risk of injury (see ISO 14121-1).

Where there is a low risk, at least the values in Table 1 shall be used (see 4.2.2.1.1).

Where the risk is not low, Table 2, the high risk table, shall be used (see 4.2.2.1.2).

NOTE 2 Only risks arising from hazards such as friction or abrasion, where long-term or irreversible damage to the body is not foreseeable, can lead to low risks.

The safety distances (s_r) given in Table 7 apply to persons reaching through openings using the lower limbs in an attempt to reach a hazard zone.

If the requirements of this International Standard cannot be complied with, then other safety measures shall be used.

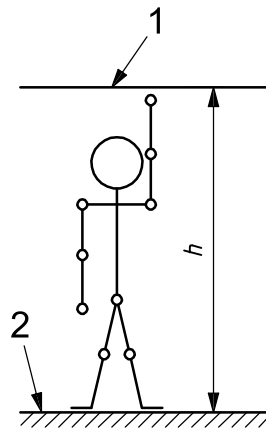
4.2 Safety distances to prevent access by upper limbs

4.2.1 Reaching upwards

4.2.1.1 Figure 1 shows the safety distance for reaching upwards.

4.2.1.2 If there is a low risk from the hazard zone, then the height of the hazard zone, h , shall be 2 500 mm or more.

4.2.1.3 If there is a high risk (see 4.1.2) from the hazard zone, then the height of the hazard zone, h , shall be 2 700 mm or more.



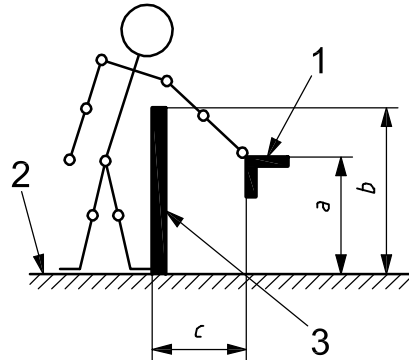
Key

- 1 hazard zone
- 2 reference plane
- h height of hazard zone

Figure 1 — Reaching upwards

4.2.2 Reaching over protective structures

Figure 2 shows the safety distance for reaching over a protective structure.



Key			
<i>a</i>	height of hazard zone	1	hazard zone (nearest point)
<i>b</i>	height of protective structure	2	reference plane
<i>c</i>	horizontal safety distance to hazard zone	3	protective structure

Figure 2 — Reaching over protective structure

4.2.2.1 Values

4.2.2.1.1 The values given in Table 1 shall be used to determine the corresponding dimension(s) of the height of the hazard zone, the height of protective structures and the horizontal safety distance to the hazard zone. If there is a low risk (see 4.1.2) from a hazard zone, the values given in Table 1 shall be used as minimum values.

There shall be no interpolation of the values given in Table 1. Consequently, when the known values of *a*, *b* or *c* are between two values in Table 1, the greater safety distance or higher protective structure or change in the height (higher or lower) of the hazard zone shall be used.

Annex A gives examples of the use of Tables 1 and 2.

Table 1 — Reaching over protective structures — Low risk

Dimensions in millimetres

Height of hazard zone ^b <i>a</i>	Height of protective structure ^a <i>b</i>								
	1 000	1 200	1 400	1 600	1 800	2 000	2 200	2 400	2 500
Horizontal safety distance to hazard zone, <i>c</i>									
2 500	0	0	0	0	0	0	0	0	0
2 400	100	100	100	100	100	100	100	100	0
2 200	600	600	500	500	400	350	250	0	0
2 000	1 100	900	700	600	500	350	0	0	0
1 800	1 100	1 000	900	900	600	0	0	0	0
1 600	1 300	1 000	900	900	500	0	0	0	0
1 400	1 300	1 000	900	800	100	0	0	0	0
1 200	1 400	1 000	900	500	0	0	0	0	0
1 000	1 400	1 000	900	300	0	0	0	0	0
800	1 300	900	600	0	0	0	0	0	0
600	1 200	500	0	0	0	0	0	0	0
400	1 200	300	0	0	0	0	0	0	0
200	1 100	200	0	0	0	0	0	0	0
0	1 100	200	0	0	0	0	0	0	0

^a Protective structures less than 1 000 mm in height are not included because they do not sufficiently restrict movement of the body.

^b For hazard zones above 2 500 mm, refer to 4.2.1.

4.2.2.1.2 The values given in Table 2 shall be used to determine the corresponding dimension(s) of the height of the hazard zone, the height of protective structures and the horizontal safety distance to the hazard zone. If there is a high risk (see 4.1.2) from a hazard zone, then the values given in Table 2 shall be used.

There shall be no interpolation of the values given in Table 2. Consequently, when the known values of *a*, *b* or *c* are between two values in Table 2, the greater safety distance or higher protective structure or change in the height (higher or lower) of the hazard zone shall be used.

Annex A gives examples of the use of Tables 1 and 2.

Table 2 — Reaching over protective structures — High risk

Dimension in millimetres

Height of hazard zone ^c <i>a</i>	Height of protective structure ^{a, b} <i>b</i>									
	1 000	1 200	1 400	1 600	1 800	2 000	2 200	2 400	2 500	2 700
Horizontal safety distance to hazard zone, <i>c</i>										
2 700	0	0	0	0	0	0	0	0	0	0
2 600	900	800	700	600	600	500	400	300	100	0
2 400	1 100	1 000	900	800	700	600	400	300	100	0
2 200	1 300	1 200	1 000	900	800	600	400	300	0	0
2 000	1 400	1 300	1 100	900	800	600	400	0	0	0
1 800	1 500	1 400	1 100	900	800	600	0	0	0	0
1 600	1 500	1 400	1 100	900	800	500	0	0	0	0
1 400	1 500	1 400	1 100	900	800	0	0	0	0	0
1 200	1 500	1 400	1 100	900	700	0	0	0	0	0
1 000	1 500	1 400	1 000	800	0	0	0	0	0	0
800	1 500	1 300	900	600	0	0	0	0	0	0
600	1 400	1 300	800	0	0	0	0	0	0	0
400	1 400	1 200	400	0	0	0	0	0	0	0
200	1 200	900	0	0	0	0	0	0	0	0
0	1 100	500	0	0	0	0	0	0	0	0

^a Protective structures less than 1 000 mm in height are not included because they do not sufficiently restrict movement of the body.

^b Protective structures lower than 1 400 mm should not be used without additional safety measures.

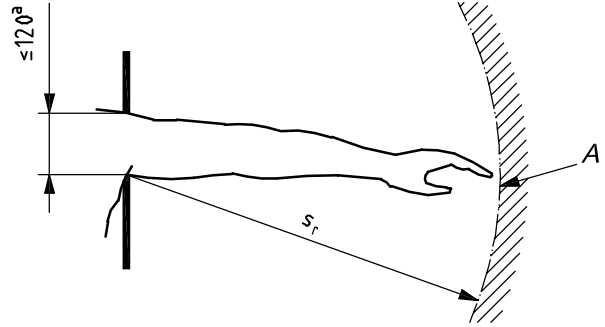
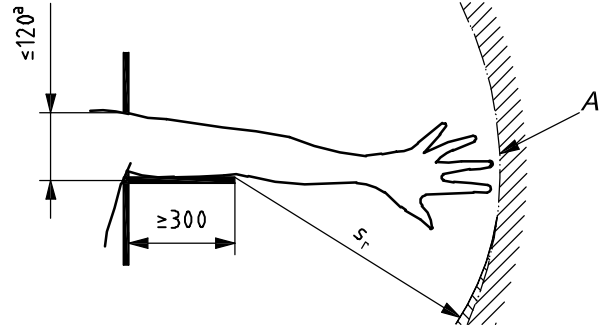
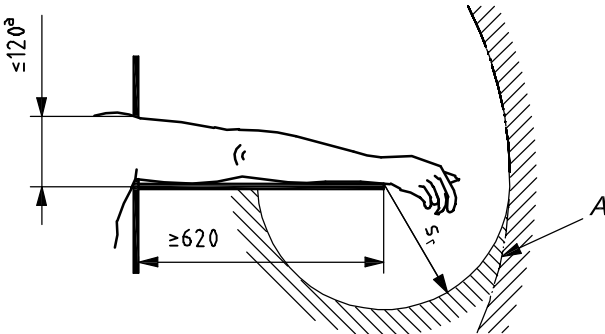
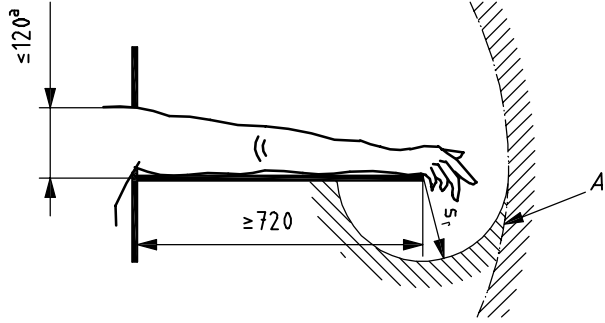
^c For hazard zones above 2 700 mm, refer to 4.2.1.

4.2.3 Reaching around

Table 3 shows examples of fundamental movements for persons of 14 years and above (approximately 1,4 m height and above) (see also 4.2.5). Safety distances shorter than 850 mm (see Table 4) may be used when the obstacle limiting the movement is at least 300 mm long.

Table 3 — Reaching around with limitation of movement

Dimensions in millimetres

Limitation of movement	Safety distance, s_r	Illustration
Limitation of movement only at shoulder and armpit	≥ 850	
Arm supported up to elbow	≥ 550	
Arm supported up to wrist	≥ 230	
Arm and hand supported up to knuckle joint	≥ 130	
<p><i>A</i> range of movement of arm</p> <p>s_r radial safety distance</p> <p>^a This is either the diameter of a round opening, or the side of a square opening, or the width of a slot opening.</p>		

4.2.4 Reaching through openings

4.2.4.1 Reaching through regular openings — Persons of 14 years of age and above

Table 4 gives s_r for regular openings for persons of 14 years of age and above.

The dimension of the opening, e , corresponds to the side of a square opening, the diameter of a round opening and the narrowest dimension of a slot opening.

For openings > 120 mm, safety distances in accordance with 4.2.2 shall be used.

Table 4 — Reaching through regular openings — Persons of 14 years of age and above

Dimensions in millimetres

Part of body	Illustration	Opening	Safety distance, s_r		
			Slot	Square	Round
Fingertip		$e \leq 4$	≥ 2	≥ 2	≥ 2
		$4 < e \leq 6$	≥ 10	≥ 5	≥ 5
Finger up to knuckle joint		$6 < e \leq 8$	≥ 20	≥ 15	≥ 5
		$8 < e \leq 10$	≥ 80	≥ 25	≥ 20
		$10 < e \leq 12$	≥ 100	≥ 80	≥ 80
		$12 < e \leq 20$	≥ 120	≥ 120	≥ 120
Hand		$20 < e \leq 30$	$\geq 850^a$	≥ 120	≥ 120
Arm up to junction with shoulder		$30 < e \leq 40$	≥ 850	≥ 200	≥ 120
		$40 < e \leq 120$	≥ 850	≥ 850	≥ 850

The bold lines within the table delineate that part of the body restricted by the opening size.

^a If the length of the slot opening is ≤ 65 mm, the thumb will act as a stop and the safety distance can be reduced to 200 mm.

4.2.4.2 Regular openings for persons of 3 years of age and above

Table 5 considers the smaller dimensions of the thickness of the upper limbs and the behaviour of persons of 3 years of age and above (5th percentile stature of 3 year olds is approximately 900 mm).

The dimensions of openings, e , correspond to the side of a square opening, the diameter of a round opening and the narrowest dimension of a slot opening.

For openings > 100 mm, safety distances in accordance with 4.2.2 shall be used.

NOTE Measures for children's protection against strangulation are not covered by this International Standard.

Table 5 — Reaching through regular openings — Persons of 3 years of age and above

Dimensions in millimetres

Part of body	Illustration	Opening	Safety distance, s_r		
			Slot	Square	Round
Fingertip		$e \leq 4$	≥ 2	≥ 2	≥ 2
		$4 < e \leq 6$	≥ 20	≥ 10	≥ 10
Finger up to knuckle joint		$6 < e \leq 8$	≥ 40	≥ 30	≥ 20
		$8 < e \leq 10$	≥ 80	≥ 60	≥ 60
Hand		$10 < e \leq 12$	≥ 100	≥ 80	≥ 80
		$12 < e \leq 20$	$\geq 900^a$	≥ 120	≥ 120
Arm up to junction with shoulder		$20 < e \leq 30$	≥ 900	≥ 550	≥ 120
		$30 < e \leq 100$	≥ 900	≥ 900	≥ 900

The bold line within the table delineates that part of the body restricted by the opening size.

^a If the length of the slot opening is ≤ 40 mm, the thumb will act as a stop and the safety distance can be reduced to 120 mm.

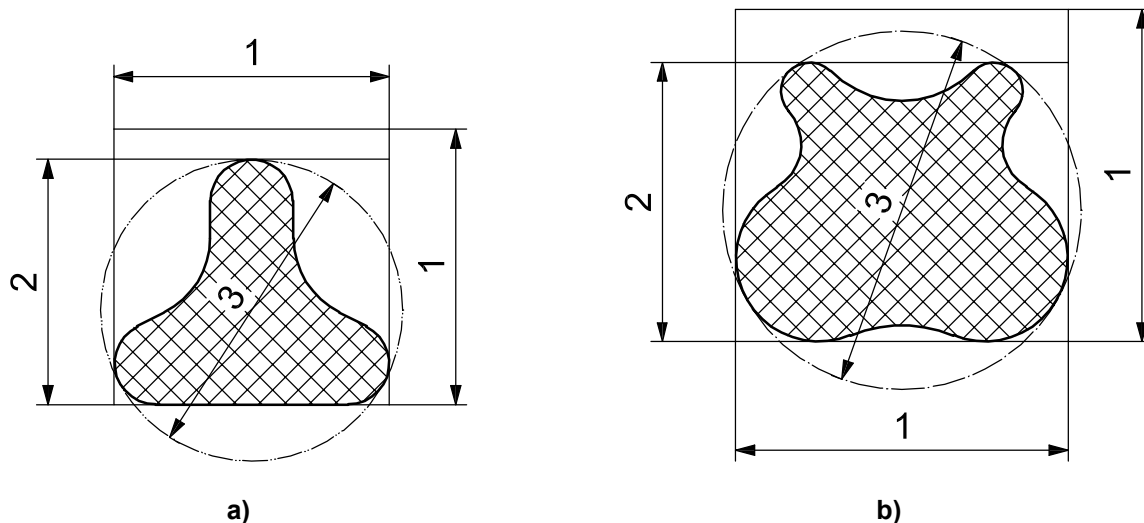
4.2.4.3 Openings of irregular shape

In the case of irregular openings, the following steps shall be carried out in the order given.

- a) Determine
 - the diameter of the smallest round opening,
 - the side of the smallest square opening, and
 - the width of the narrowest slot opening

into which the irregular opening can be completely inserted [see hatched area in Figures 3 a) and 3 b)].

- b) Select the corresponding three distances according to either Table 4 or Table 5.
- c) The shortest safety distance of the three values selected in b) may be used.



Key

- 1 side
- 2 width
- 3 diameter

Figure 3 — Openings of irregular shape

4.2.5 Effect of additional protective structures on safety distances

In Tables 1 to 5 the protective structures referred to are located in one plane. It should be borne in mind that additional protective structures or surfaces which function as such can reduce the free movement of the arm, the hand or the fingers and can increase the zone where hazard points can be admissible. Examples of how this may be achieved are shown in Tables 3 and 6.

Protective structures and surfaces upon which the arm can rest may be inclined at any angle.

Table 6 — Reaching around with additional protective structures

Dimensions in millimetres

Limitation of movement	Safety distance, s_r	Illustration
Limitation of movement at shoulder and armpit: two separate protective structures — one permits movement from the wrist, the other movement from the elbow.	$s_{r1} \geq 230$ $s_{r2} \geq 550$ $s_{r3} \geq 850$	
Limitation of movement at shoulder and armpit: one separate protective structure, which permits movement from the fingers up to the knuckle joint.	$s_{r3} \geq 850$ $s_{r4} \geq 130$	
s_r radial safety distance		

4.3 Safety distances to prevent access by lower limbs

In general, safety distances should be determined using Tables 1 to 6 for the upper limbs. Where it is not foreseeable that the upper limbs can have access to the opening then it is permissible to use the values given in Table 7 to determine safety distances for the lower limbs.

The dimension, e , of openings corresponds to the side of a square opening, the diameter of a round opening or the narrowest dimension of a slot opening.

The values given in Table 7 are independent of whether clothing or footwear is being worn and are applicable for persons of 14 years of age and above.

For reaching through openings of irregular shape, see 4.2.4.3.

Table 7 — Reaching through openings of regular shape by lower limbs

Dimensions in millimetres

Part of lower limb	Illustration	Opening	Safety distance, s_r	
			Slot	Square or round
Toe tip		$e \leq 5$	0	0
		$5 < e \leq 15$	≥ 10	0
Toe		$15 < e \leq 35$	$\geq 80^a$	≥ 25
		Foot	$35 < e \leq 60$	≥ 180
$60 < e \leq 80$	$\geq 650^b$		≥ 180	
Leg (toe tip to knee)		$80 < e \leq 95$	$\geq 1\ 100^c$	$\geq 650^b$
		Leg (toe tip to crotch)	$95 < e \leq 180$	$\geq 1\ 100^c$
$180 < e \leq 240$	Not admissible		$\geq 1\ 100^c$	

^a If the length of the slot opening is ≤ 75 mm, the distance can be reduced to ≥ 50 mm.

^b The value corresponds to leg (toe tip to knee).

^c The value corresponds to leg (toe tip to crotch).

NOTE Slot openings with $e > 180$ mm and square or round openings with $e > 240$ mm will allow access for the whole body (see also Clause 1, final paragraph).

In some cases (e.g. mobile agricultural machines designed to move over uneven ground), the safety distances given in this International Standard cannot be applied. In such cases, at least protective structures to restrict the free movement of the lower limbs should be used. For this method, the distances given in Annex B can be used.

Annex A (informative)

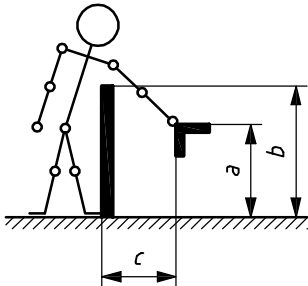
Use of Tables 1 and 2 with intermediate values

The following examples explain the use of Tables 1 and 2 when values other than those given in the tables themselves will be used. For the examples, Table 2 is used.

EXAMPLE 1 To determine the height, b , of the protective structure with known values for a and c .

If the height, a , of the hazard zone is 1 500 mm and its horizontal distance, c , from the proposed protective structure is 800 mm, then, using Table 2, the height, b , of the protective structure can be determined as follows. The value $a = 1\ 600$ mm (see ①) is selected as being closest to 1 500 mm while having safety distances in that row that are greater (safer) than $a = 1\ 400$. The value $c = 800$ mm (see ②) is selected. The corresponding value for the height, b , of the protective structure is 1 800 mm (see ③).

Dimensions in millimetres

Height of hazard zone ^c a	Height of protective structure ^{a, b} b									
	1 000	1 200	1 400	1 600	1 800 ③	2 000	2 200	2 400	2 500	2 700
Horizontal safety distance to hazard zone, c										
2 700	0	0	0	0	0	0	0	0	0	0
2 600	900	800	700	600	600	500	400	300	100	0
2 400	1 100	1 000	900	800	700	600	400	300	100	0
2 200	1 300	1 200	1 000	900	800	600	400	300	0	0
2 000	1 400	1 300	1 100	900	800	600	400	0	0	0
1 800	1 500	1 400	1 100	900	800	600	0	0	0	0
1 600 ①	1 500	1 400	1 100	900	800 ②	500	0	0	0	0
1 400	1 500	1 400	1 100	900	800	0	0	0	0	0
1 200	1 500	1 400	1 100	900	700	0	0	0	0	0
1 000	1 500	1 400	1 000	800	0	0				
800	1 500	1 300	900	600	0	0				
600	1 400	1 300	800	0	0	0				
400	1 400	1 200	400	0	0	0				
200	1 200	900	0	0	0	0				
0	1 100	500	0	0	0	0				

^a Protective structures less than 1 000 mm in height are not included because they do not sufficiently restrict movement of the body.

^b Protective structures lower than 1 400 mm should not be used without additional safety measures.

^c For hazard zones above 2 700 mm, refer to 4.2.1.

Figure A.1 — Example 1 — Table 2

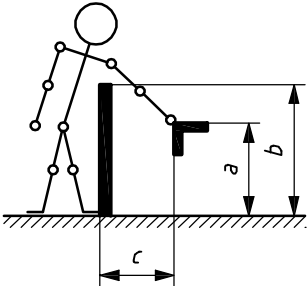
EXAMPLE 2 To determine the horizontal safety distance, c , from the hazard zone with known values for a and b .

If the height, b , of the protective structure is 1 300 mm and the height, a , of the hazard zone is 2 300 mm, then, using Table 2, the horizontal safety distance, c , from the hazard zone can be determined as follows.

The value $b = 1\ 200$ mm (see ①) is selected as being closest to 1 300 mm while having safety distances in that column that are greater (safer) than $b = 1\ 400$. The value $a = 2\ 200$ (see ②) is selected as being closest to 2 300 mm while having safety distances that are greater (safer) than for $a = 2\ 400$. The corresponding value for c is 1 200 mm (see ③).

See Footnote b.

Dimensions in millimetres

Height of hazard zone ^c a	Height of protective structure ^{a, b} b									
	1 000	1 200 ①	1 400	1 600	1 800	2 000	2 200	2 400	2 500	2 700
Horizontal safety distance to hazard zone, c										
2 700	0	0	0	0	0	0	0	0	0	0
2 600	900	800	700	600	600	500	400	300	100	0
2 400	1 100	1 000	900	800	700	600	400	300	100	0
2 200 ②	1 300	1 200 ③	1 000	900	800	600	400	300	0	0
2 000	1 400	1 300	1 100	900	800	600	400	0	0	0
1 800	1 500	1 400	1 100	900	800	600	0	0	0	0
1 600	1 500	1 400	1 100	900	800	500	0	0	0	0
1 400	1 500	1 400	1 100	900	800	0	0	0	0	0
1 200	1 500	1 400	1 100	900	700	0	0	0	0	0
1 000	1 500	1 400	1 000	800	0	0				
800	1 500	1 300	900	600	0	0				
600	1 400	1 300	800	0	0	0				
400	1 400	1 200	400	0	0	0				
200	1 200	900	0	0	0	0				
0	1 100	500	0	0	0	0				

^a Protective structures less than 1 000 mm in height are not included because they do not sufficiently restrict movement of the body.

^b Protective structures lower than 1 400 mm should not be used without additional safety measures.

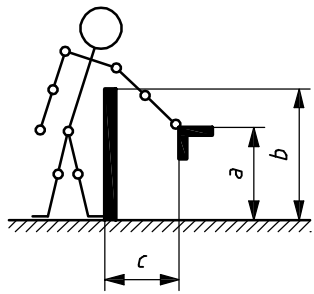
^c For hazard zones above 2 700 mm, refer to 4.2.1.

Figure A.2 — Example 2 — Table 2

EXAMPLE 3 To determine the height, a , of the hazard zone with known values for b and c .

If the height, b , of the protective structure is 1 700 mm and the horizontal safety distance, c , from the hazard zone is 850 mm, then, using Table 2, the height, a , of the hazard zone can be determined as follows. The value $b = 1 600$ mm (see ①) is selected as being closest to 1 700 mm while having safety distances in that column that are greater (safer) than $b = 1 800$. The value $c = 900$ (see ②) is selected as being closest to (and greater than) 850 mm, and several possible positions are highlighted in Figure A.3. The corresponding value for a is 2 400 mm or more, or 1 000 mm or less (see ③). Hazard zones over 1 000 mm and below 2 400 mm will not be protected by the position of this protective structure.

Dimensions in millimetres

Height of hazard zone c a	Height of protective structure a, b b										
	1 000	1 200	1 400	1 600 ①	1 800	2 000	2 200	2 400	2 500	2 700	
Horizontal safety distance to hazard zone, c											
d	2 700 ③	0	0	0	0	0	0	0	0	0	0
	2 600 ③	900	800	700	600	600	500	400	300	100	0
	2 400 ③	1 100	1 000	900	800	700	600	400	300	100	0
e					900 ②	800	600	400	300	0	0
					900 ②	800	600	400	0	0	0
					900 ②	800	600	0	0	0	0
					900 ②	800	500	0	0	0	0
					900 ②	800	0	0	0	0	0
d	1 000 ③	1 500	1 400	1 000	800	0	0				
	800 ③	1 500	1 300	900	600	0	0				
	600 ③	1 400	1 300	800	0	0	0				
	400 ③	1 400	1 200	400	0	0	0				
	200 ③	1 200	900	0	0	0	0				
	0 ③	1 100	500	0	0	0	0				

- a Protective structures less than 1 000 mm in height are not included because they do not sufficiently restrict movement of the body.
- b Protective structures lower than 1 400 mm should not be used without additional safety measures.
- c For hazard zones above 2 700 mm, refer to 4.2.1.
- d Possible.
- e Not possible.

Figure A.3 — Example 3 — Table 2

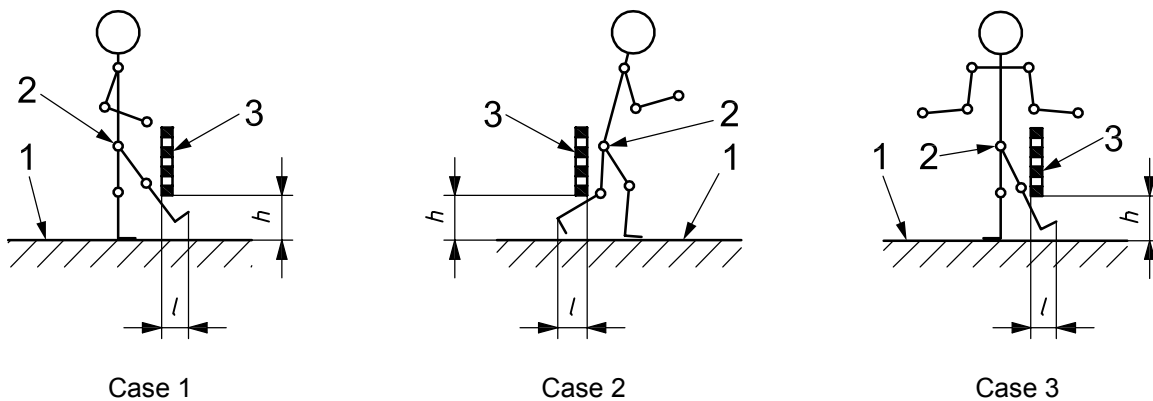
EXAMPLE 4 For a high risk: if height, a , of the hazard zone equals 1 800 mm, and if the protective structure is a grid of height $b = 2 000$ mm (Table 2), the safety distance will be $c = 600$ mm. The grid has square openings (50 mm \times 50 mm), the safety distance as proposed by Table 4 gives $s_r = 850$ mm. This larger safety distance should be taken.

Annex B (informative)

Distances to impede free access by lower limbs

An additional protective structure can be used to restrict the free movement of the lower limbs under existing protective structures. For this method, the distances given in this annex relate to the height from the ground or reference plane to the protective structure. This method provides limited protection; in many cases other methods will be more appropriate.

NOTE These distances are not safety distances and additional precautions could be required to restrict access.



Key

- | | | | |
|---|----------------------|-----|-----------------------------------|
| 1 | reference plane | h | height up to protective structure |
| 2 | hip joint | l | distance for impedance |
| 3 | protective structure | | |

Figure B.1 — Impeding free movement under protective structures

Table B.1 gives distances for particular cases where access of the lower limbs is impeded when the person remains in a standing position (see Figure B.1) without any additional support.

Where there is a risk of slipping or misuse, applying the values given in Table B.1 can be inappropriate.

There should be no interpolation between the values in this table. If the height, h , up to the protective structure lies between two values, then the distance for the higher value of h should be used.

Table B.1 — Distances where access of the lower limbs is restricted

Dimensions in millimetres

Height h up to protective structure	Distance l		
	Case 1	Case 2	Case 3
$h \leq 200$	≥ 340	≥ 665	≥ 290
$200 < h \leq 400$	≥ 550	≥ 765	≥ 615
$400 < h \leq 600$	≥ 850	≥ 950	≥ 800
$600 < h \leq 800$	≥ 950	≥ 950	≥ 900
$800 < h \leq 1\ 000$	$\geq 1\ 125$	$\geq 1\ 195$	$\geq 1\ 015$

NOTE Slot openings with $e > 180$ mm and square or round openings with $e > 240$ mm will allow access for the whole body.

Bibliography

- [1] ISO 13855, *Safety of machinery — Positioning of protective equipment with respect to the approach speeds of parts of the human body*
- [2] ISO 14121-1, *Safety of machinery — Risk assessment — Part 1: Principles*
- [3] ISO 14738, *Safety of machinery — Anthropometric requirements for the design of workstations at machinery*
- [4] EN 547-3, *Safety of machinery — Human body measurements — Part 3: Anthropometric data*

Annex ZA (informative)

Relationship between this International Standard and the Essential Requirements of EU Directive 98/37/EC

This International Standard has been prepared under a mandate given to CEN by the European Commission and the European Free Trade Association to provide a means of conforming to Essential Requirements of the New Approach Directive 98/37/EC.

Once this standard is cited in the Official Journal of the European Communities under that Directive and has been implemented as a national standard in at least one Member State, compliance with the normative clauses of this standard confers, within the limits of the scope of this standard, a presumption of conformity with the corresponding Essential Requirements 1.1.2, 1.3.7, 1.4.1 of that Directive and associated EFTA regulations.

WARNING: Other requirements and other EU Directives may be applicable to the products falling within the scope of this standard.

Annex ZB (informative)

Relationship between this International Standard and the Essential Requirements of EU Directive 2006/42/EC

This International Standard has been prepared under a mandate given to CEN by the European Commission and the European Free Trade Association to provide one means of conforming to Essential Requirements of the New Approach Directive 2006/42/EC on machinery.

Once this standard is cited in the Official Journal of the European Communities under that Directive and has been implemented as a national standard in at least one Member State, compliance with the normative clauses of this standard confers, within the limits of the scope of this standard, a presumption of conformity with the corresponding Essential Requirements 1.1.2, 1.3.7, 1.4.1 of that Directive and associated EFTA regulations.

WARNING: Other requirements and other EU Directives may be applicable to the product(s) falling within the scope of this standard.

BSI — British Standards Institution

BSI is the independent national body responsible for preparing British Standards. It presents the UK view on standards in Europe and at the international level. It is incorporated by Royal Charter.

Revisions

British Standards are updated by amendment or revision. Users of British Standards should make sure that they possess the latest amendments or editions.

It is the constant aim of BSI to improve the quality of our products and services. We would be grateful if anyone finding an inaccuracy or ambiguity while using this British Standard would inform the Secretary of the technical committee responsible, the identity of which can be found on the inside front cover. Tel: +44 (0)20 8996 9000. Fax: +44 (0)20 8996 7400.

BSI offers members an individual updating service called PLUS which ensures that subscribers automatically receive the latest editions of standards.

Buying standards

Orders for all BSI, international and foreign standards publications should be addressed to Customer Services. Tel: +44 (0)20 8996 9001. Fax: +44 (0)20 8996 7001. Email: orders@bsi-global.com. Standards are also available from the BSI website at <http://www.bsi-global.com>.

In response to orders for international standards, it is BSI policy to supply the BSI implementation of those that have been published as British Standards, unless otherwise requested.

Information on standards

BSI provides a wide range of information on national, European and international standards through its Library and its Technical Help to Exporters Service. Various BSI electronic information services are also available which give details on all its products and services. Contact the Information Centre. Tel: +44 (0)20 8996 7111. Fax: +44 (0)20 8996 7048. Email: info@bsi-global.com.

Subscribing members of BSI are kept up to date with standards developments and receive substantial discounts on the purchase price of standards. For details of these and other benefits contact Membership Administration. Tel: +44 (0)20 8996 7002. Fax: +44 (0)20 8996 7001. Email: membership@bsi-global.com.

Information regarding online access to British Standards via British Standards Online can be found at <http://www.bsi-global.com/bsonline>.

Further information about BSI is available on the BSI website at <http://www.bsi-global.com>.

Copyright

Copyright subsists in all BSI publications. BSI also holds the copyright, in the UK, of the publications of the international standardization bodies. Except as permitted under the Copyright, Designs and Patents Act 1988 no extract may be reproduced, stored in a retrieval system or transmitted in any form or by any means – electronic, photocopying, recording or otherwise – without prior written permission from BSI.

This does not preclude the free use, in the course of implementing the standard, of necessary details such as symbols, and size, type or grade designations. If these details are to be used for any other purpose than implementation then the prior written permission of BSI must be obtained.

Details and advice can be obtained from the Copyright & Licensing Manager. Tel: +44 (0)20 8996 7070. Fax: +44 (0)20 8996 7553. Email: copyright@bsi-global.com.